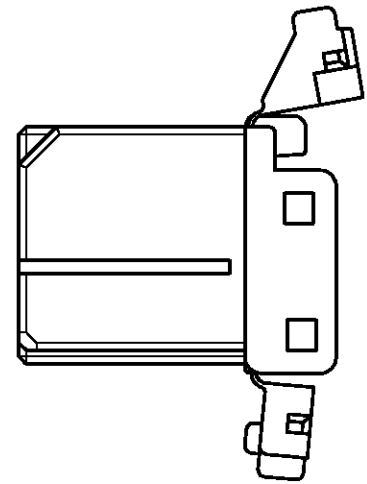
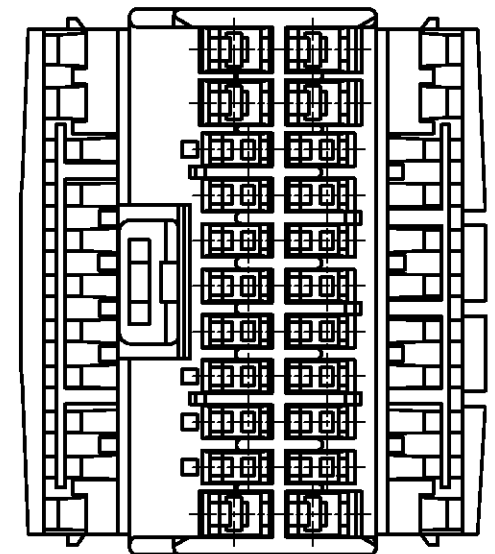
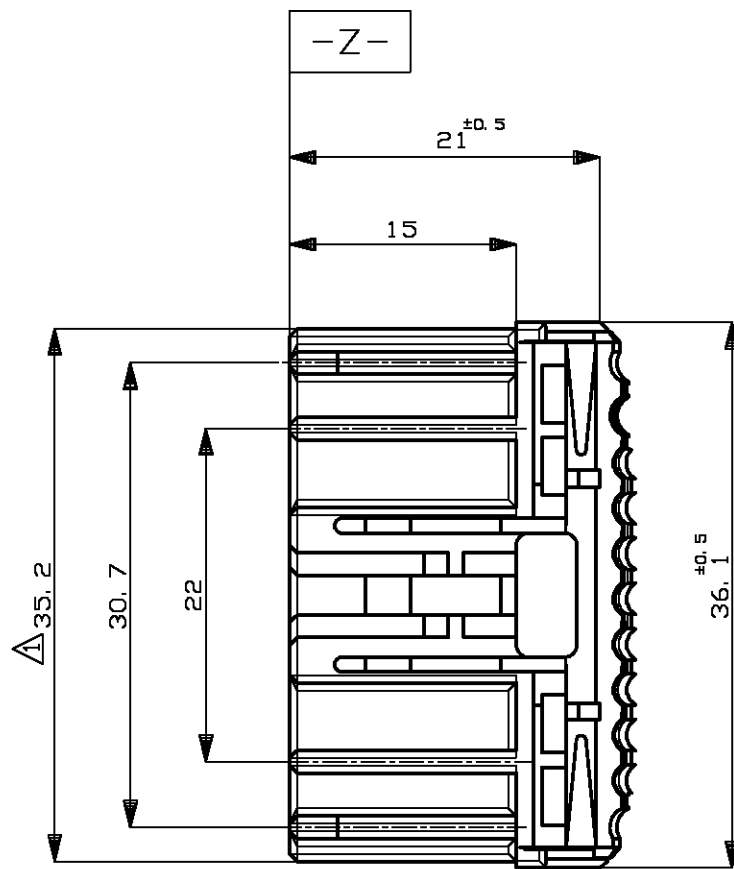
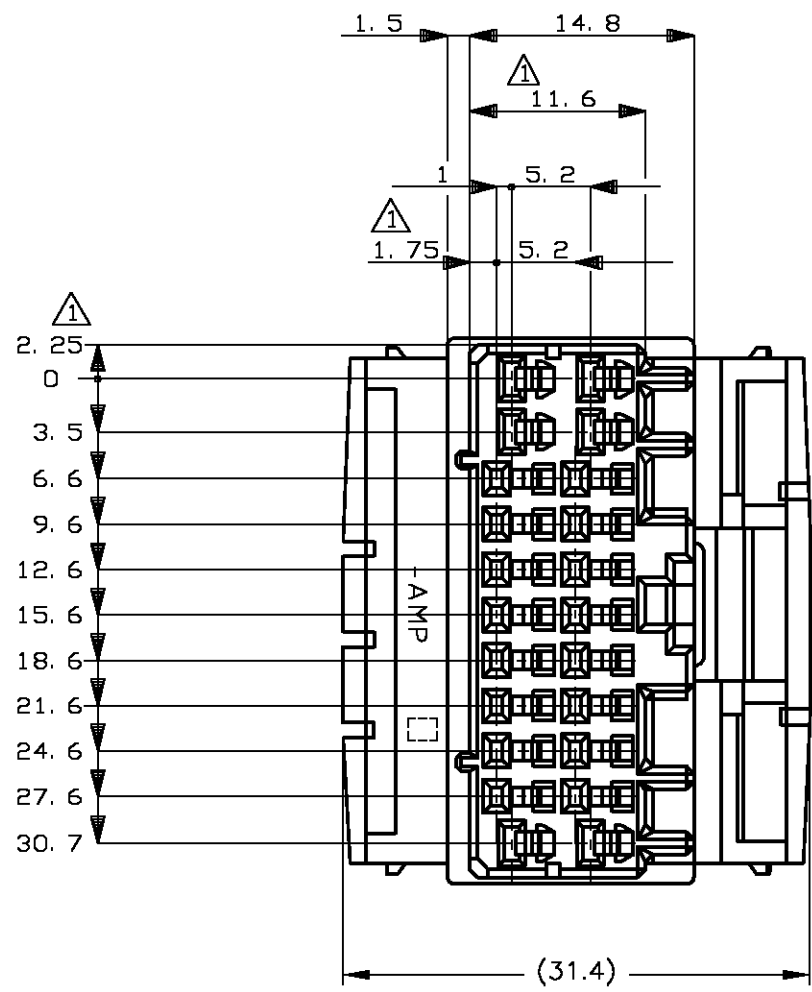


THIS DRAWING IS UNPUBLISHED. RELEASED FOR PUBLICATION
 © COPYRIGHT BY TYCO ELECTRONICS CORPORATION. ALL RIGHTS RESERVED.

LOC	DIST	REVISIONS					
J	-	P	LTR	DESCRIPTION	DATE	DWN	APVD
		C3	REVISED	ECR-08-016673	02JUL08	SF	KB



- △ MUST BE KEPT BETWEEN [-Z-] AND 2mm
- 2. APPLIDE CONTACT PART NUMBER; 173681,173630,173631
- 3. APPLICABLE PRODUCT SPEC.; 108-5280
- △ [-Z-] 面より2mmの範囲で測定
- 2. 内装するリセプタクルコンタクト型番; 173681,173630,173631
- 3. 適用製品規格番号; 108-5280

橙色 (ORANGE)	175110-8
灰色 (GRAY)	175110-6
青色 (BLUE)	175110-5
白色 (WHITE)	175110-1
色 (COLOR)	型番 (PART NUMBER)

THIS DRAWING IS A CONTROLLED DOCUMENT.		DWN T.SHINOHARA 28SEP05	Tyco Electronics Corporation Kawasaki, Japan	
DIMENSIONS: 単位: 概 mm		CHK K.BETSUI 28SEP05	NAME 名称	
TOLERANCES UNLESS OTHERWISE SPECIFIED: 一般公差		APVD K.BETSUI 28SEP05	040/070 HYBRID I/O CONNECTOR T.F 22POSITION PLUG HOUSING	
0 PLC ± -		PRODUCT SPEC 製品規格	SIZE A3	CAGE CODE 00779
1 PLC ± -		APPLICATION SPEC 取付適用規格	DRAWING NO 番号 C-175110	RESTRICTED TO -
2 PLC ± -		WEIGHT -	SCALE 尺度 2:1	SHEET 1 OF 1
3 PLC ± -		CUSTOMER DRAWING	REV C3	
4 PLC ± -				
ANGLES ± -				
FINISH 仕上 -				
MATERIAL 材料 PBT				

GENERAL TOLERANCE 一般公差:
10以下: ±0.2
10を越え30以下: ±0.25
30を越え100以下: ±0.3
角度: ±3°